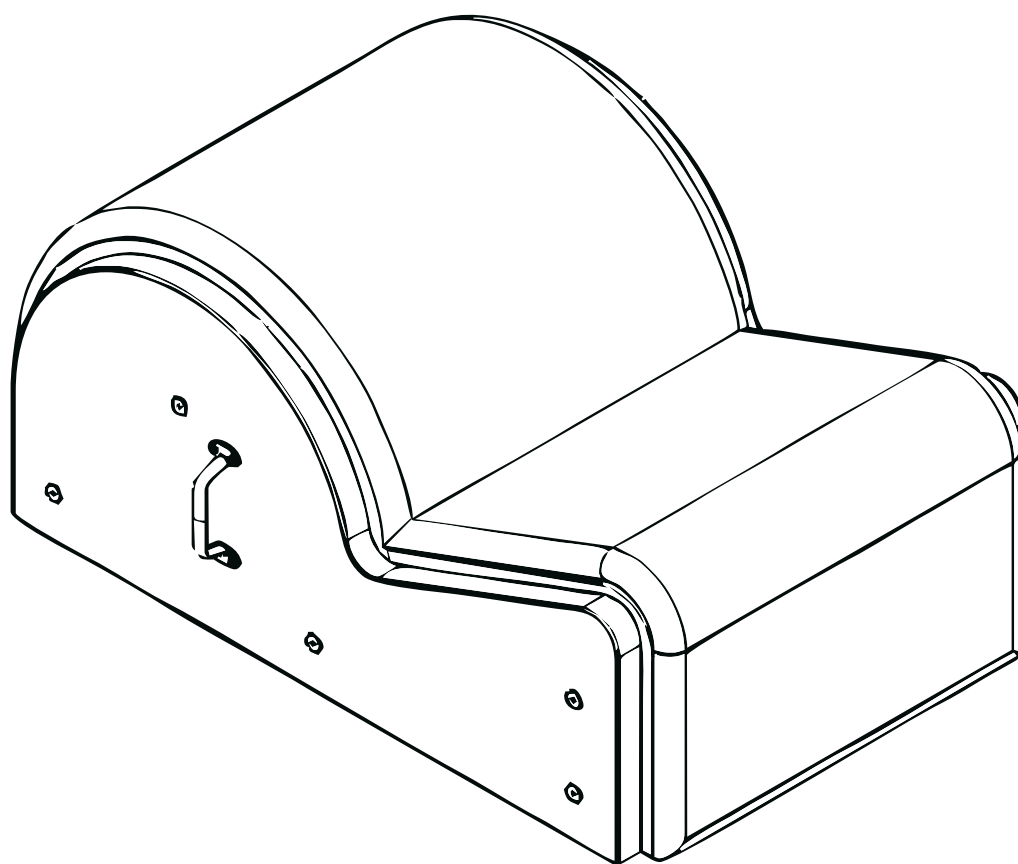


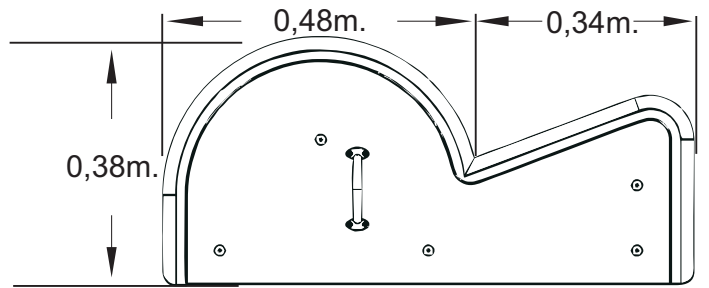
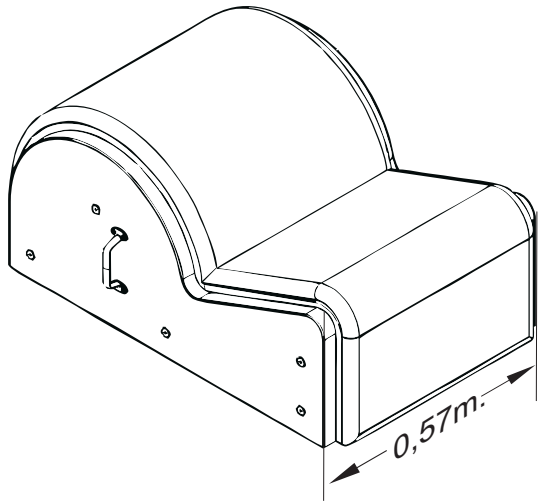
**Code**  
**W15174**



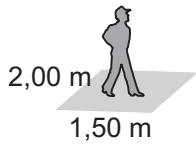
## STEP BARREL - PILATES LINE



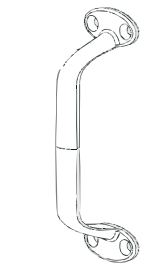
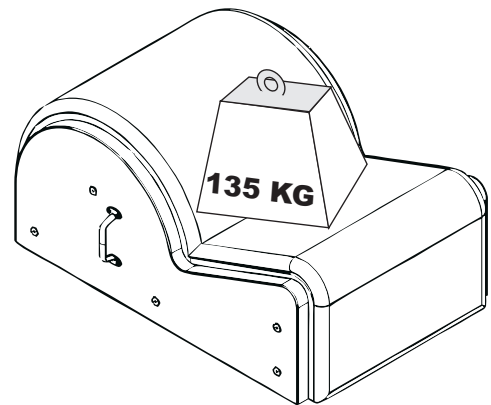
**INTERNATIONAL DISTRIBUTOR**  
*3B Scientific GmbH, Hamburg*  
*Rudorffweg 8*  
*21031 Hamburg*  
*www.3bscientific.com*



Weight 15 Kg



05 min.



02X



3/16" x 1 1/4"  
08x

